

DSTB38

Vandalism protected trackball

- *for public surroundings*
- *extrem weather conditions*
- *and many more*



DSTB38

stainless
steel
or
black
plastic
ball

Description:

- A vandalism protected trackball in very robust processing.
- Can be a full pointing device with up to integrated 3 mouse buttons.
- Almost insensitive to violence.
- Mounting element with very low measurements for keyboards, independent trackballs and other instruments.
- Especially for surroundings where there is danger by vandalism and/or much customer traffic and/or extrem weather conditions.
- Is especially suited to instruments which works in industrial extreme surroundings.

Features:

- All electronic components and mechanical guides are protected against ingress of dust and water spray (protection IP 65).
- With button modul convenient and positive operation due to the 3,25 mm travel keys with tactile feel.
- Stainless steel ball or black plastic ball, 38mm, with protection IP 65 (static), IP 56 (dynamic).
- Certain accurate pointer control about the stainless steel axis.
- PCB with electronic components.
- Predestined for the work in public terminals, in machines and devices wich have to work in extreme damp or very dusty surroundings, and many more.

Order number for example:

notation: DSTB38-ES Q
article number: 0400700T3B00000EE00

More information to each variant and their order numbers, see our web-site at

www.dskeyboard.com

Mechanical Data:

- Durability > 2 million turns
- Mounting angle max. 45°
- Weight 270gr
- Storage temperature -25°C - +80°C
- Operation temperature 0°C - +60°C
- Protection IP65 (static)

Variants:

- Operating modes are possible in quadrature, PS/2 and USB

Connecting-Variants:

- PS/2, USB, SubD
- Cable straight or spiral-shaped
- Cable length 1,5 m
- Other length are possible

Detail views:

- Qualitatively excellent processing
- Connecting by JST-Connector
- Stainless steel axis
- Impact-resistant polyamid enclosure
- Accurate guidance of the axis



Electrical Data:

- Power supply + 5 V/VDC, 50 mA
- Current consumption max. 5mA
- CE-conformable
- EMC-conformable
- RoHS-conformable

Principle:

- With button module contact by a silicon switch pad with carbon contacts.

Use Possibilities:

- Extreme damp (even splash water) surroundings
- Very dusty surroundings
- Test- and measurement systems
- Machine- and device construction
- Trade and craft
- Industry
- Many freequented areas
- and any more

Mode connections:

- Connection allocations for the different modes (must be modified by factory side):

10pin JST-Connector

1	X1
2	X2
3	Y1
4	Y2
5	PS/2 M Dat
6	PS/2 M CLK
7	VCC
8	USB D-
9	USB D+
10	GND

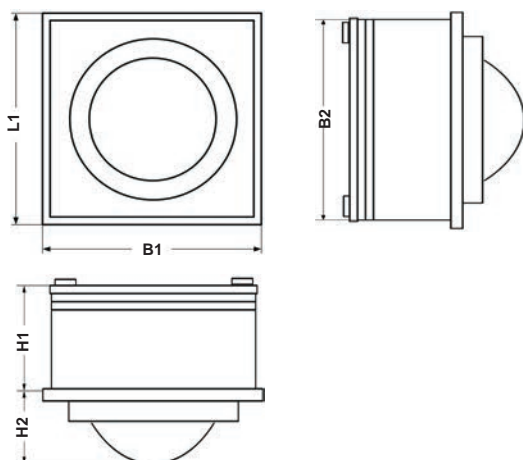
CON 1

4pin Connector

1	GND
2	Left M Button
3	Right M Button
4	Middle M Button

CON 2

Dimensions:



L1 = 58,00mm

B1 = 58,00mm

B2 = 54,00mm

H1 = 24,00mm

H2 = 16,00mm

More information about the measurements can be downloaded from our web-site.

DSTB38

stainless
steel
or
black
plastic
ball

DS Keyboard Technic GmbH

Herrenlandstr. 31-35
78315 Radolfzell

Tel.:
+49 (0) 7732-82385-0

Fax:
+49 (0) 7732-82385-29

Mail:
info@dskeyboard.com

Internet:
www.dskeyboard.com