

Metal Barrel-M30



Description:

Brass nickel-plated, threaded barrel, DC 3-wire output, potentiometer adjustment, IP67 protection class, LED indicator.

Technical Data:

Type	Rated Operating Distance Sn	Mounting	Output	Voltage Range U_B	Rated Current	Switching Frequency	Ambient Temperature	Connection	Fig
FC10-M30-OP6L	10mm	Flush	AC NO	20...250VAC	$\leq 200\text{mA}$	50Hz	-25...70°C	2m cable	Fig.1
FC10-M30-ON6L	10mm	Flush	AC NO	20...250VAC	$\leq 200\text{mA}$	50Hz	-25...70°C	2m cable	Fig.1
FC10-M30-CP6L	10mm	Flush	AC NC	20...250VAC	$\leq 200\text{mA}$	50Hz	-25...70°C	2m cable	Fig.1
FC10-M30-CN6L	10mm	Flush	AC NC	20...250VAC	$\leq 200\text{mA}$	50Hz	-25...70°C	2m cable	Fig.1
NC15-M30-OP6L	15mm	Non-flush	AC NO	20...250VAC	$\leq 200\text{mA}$	50Hz	-25...70°C	2m cable	Fig.2
NC15-M30-ON6L	15mm	Non-flush	AC NO	20...250VAC	$\leq 200\text{mA}$	50Hz	-25...70°C	2m cable	Fig.2
NC15-M30-CP6L	15mm	Non-flush	AC NC	20...250VAC	$\leq 200\text{mA}$	50Hz	-25...70°C	2m cable	Fig.2
NC15-M30-CN6L	15mm	Non-flush	AC NC	20...250VAC	$\leq 200\text{mA}$	50Hz	-25...70°C	2m cable	Fig.2
FC10-M30-OP6L-Q12	10mm	Flush	AC NO	20...250VAC	$\leq 200\text{mA}$	50Hz	-25...70°C	M12 Connector	Fig.3
FC10-M30-ON6L-Q12	10mm	Flush	AC NO	20...250VAC	$\leq 200\text{mA}$	50Hz	-25...70°C	M12 Connector	Fig.3
FC10-M30-CP6L-Q12	10mm	Flush	AC NC	20...250VAC	$\leq 200\text{mA}$	50Hz	-25...70°C	M12 Connector	Fig.3
FC10-M30-CN6L-Q12	10mm	Flush	AC NC	20...250VAC	$\leq 200\text{mA}$	50Hz	-25...70°C	M12 Connector	Fig.3
NC15-M30-OP6L-Q12	15mm	Non-flush	AC NO	20...250VAC	$\leq 200\text{mA}$	50Hz	-25...70°C	M12 Connector	Fig.4
NC15-M30-ON6L-Q12	15mm	Non-flush	AC NO	20...250VAC	$\leq 200\text{mA}$	50Hz	-25...70°C	M12 Connector	Fig.4
NC15-M30-CP6L-Q12	15mm	Non-flush	AC NC	20...250VAC	$\leq 200\text{mA}$	50Hz	-25...70°C	M12 Connector	Fig.4
NC15-M30-CN6L-Q12	15mm	Non-flush	AC NC	20...250VAC	$\leq 200\text{mA}$	50Hz	-25...70°C	M12 Connector	Fig.4

Dimensions:

Fig.1

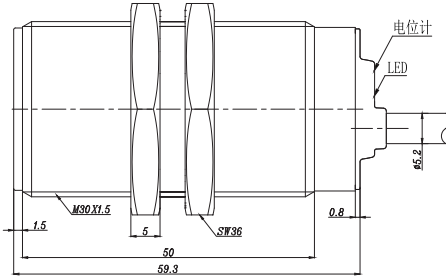


Fig.2

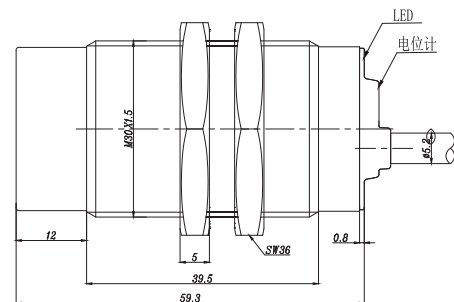


Fig.3

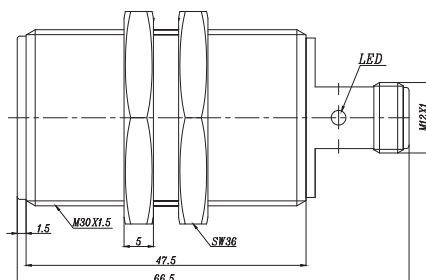
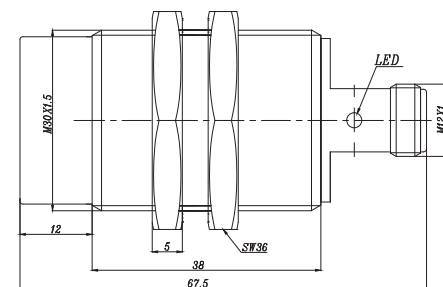
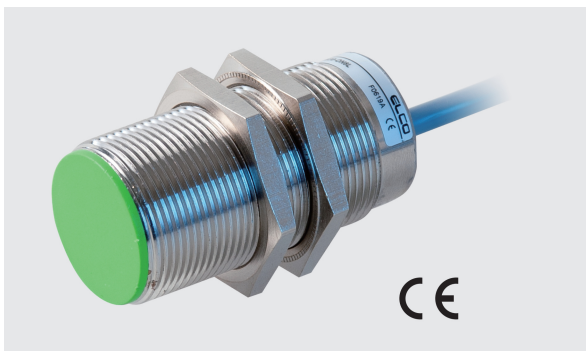


Fig.4



Capacitive sensor

Metal Barrel-M30



Description:

Brass nickel-plated, threaded barrel, DC 4-wire output, potentiometer adjustment, IP67 protection class, LED indicator.

Technical Data:

Type	Rated Operating Distance Sn	Mounting	Output	Voltage Range U_B	Rated Current	Switching Frequency	Ambient Temperature	Connection	Fig
FC10-M30-BP6L	10mm	Flush	PNP NO+NC	10...30VDC	$\leq 200\text{mA}$	50Hz	-25...70°C	2m cable	Fig.1
FC10-M30-BN6L	10mm	Flush	NPN NO+NC	10...30VDC	$\leq 200\text{mA}$	50Hz	-25...70°C	2m cable	Fig.1
NC15-M30-BP6L	15mm	Non-flush	PNP NO+NC	10...30VDC	$\leq 200\text{mA}$	50Hz	-25...70°C	2m cable	Fig.2
NC15-M30-BN6L	15mm	Non-flush	NPN NO+NC	10...30VDC	$\leq 200\text{mA}$	50Hz	-25...70°C	2m cable	Fig.2
FC10-M30-BP6L-Q12	10mm	Flush	PNP NO+NC	10...30VDC	$\leq 200\text{mA}$	50Hz	-25...70°C	M12 Connector	Fig.3
FC10-M30-BN6L-Q12	10mm	Flush	NPN NO+NC	10...30VDC	$\leq 200\text{mA}$	50Hz	-25...70°C	M12 Connector	Fig.3
NC15-M30-BP6L-Q12	15mm	Non-flush	PNP NO+NC	10...30VDC	$\leq 200\text{mA}$	50Hz	-25...70°C	M12 Connector	Fig.4
NC15-M30-BN6L-Q12	15mm	Non-flush	NPN NO+NC	10...30VDC	$\leq 200\text{mA}$	50Hz	-25...70°C	M12 Connector	Fig.4

Dimensions:

Fig.1

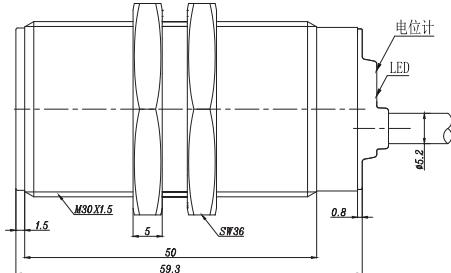


Fig.2

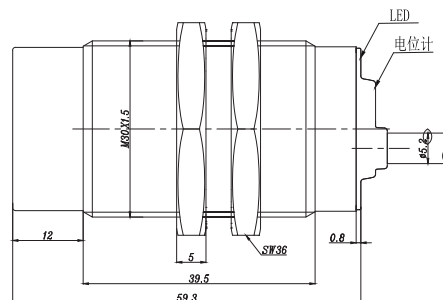


Fig.3

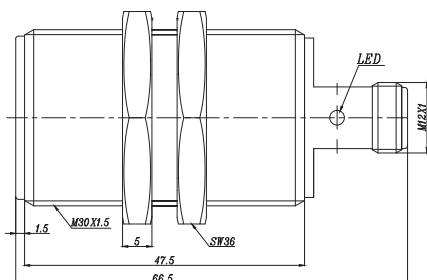
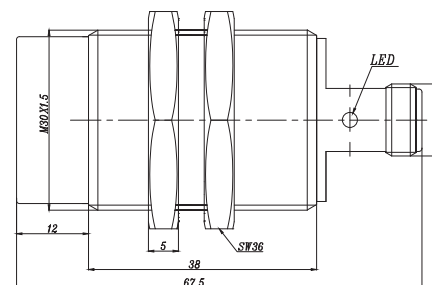


Fig.4



Metal Barrel-M30



Description:

Brass nickel-plated, threaded barrel, AC 2-wire output, potentiometer adjustment, IP67 protection class, LED indicator.

Technical Data:

Type	Rated Operating Distance Sn	Mounting	Output	Voltage Range U_B	Rated Current	Switching Frequency	Ambient Temperature	Connection	Fig
FC10-M30-OSA3L	10mm	Flush	AC NO	20...250VAC	≤200mA	15Hz	-25...70°C	2m cable	Fig.1
FC10-M30-CSA3L	10mm	Flush	AC NC	20...250VAC	≤200mA	15Hz	-25...70°C	2m cable	Fig.1
NC15-M30-CSA3L	15mm	Non-flush	AC NO	20...250VAC	≤200mA	15Hz	-25...70°C	2m cable	Fig.2
NC15-M30-OSA3L	15mm	Non-flush	AC NC	20...250VAC	≤200mA	15Hz	-25...70°C	2m cable	Fig.2
FC10-M30-OSA3L-Q12	10mm	Flush	AC NO	20...250VAC	≤200mA	15Hz	-25...70°C	M12 Connector	Fig.3
FC10-M30-CSA3L-Q12	10mm	Flush	AC NC	20...250VAC	≤200mA	15Hz	-25...70°C	M12 Connector	Fig.3
NC15-M30-OSA3L-Q12	15mm	Non-flush	AC NO	20...250VAC	≤200mA	15Hz	-25...70°C	M12 Connector	Fig.4
NC15-M30-CSA3L-Q12	15mm	Non-flush	AC NC	20...250VAC	≤200mA	15Hz	-25...70°C	M12 Connector	Fig.4

Capacitive sensor

Dimensions:

Fig.1

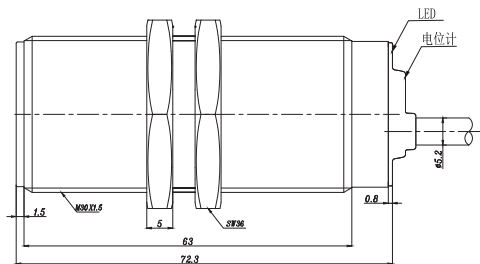


Fig.2

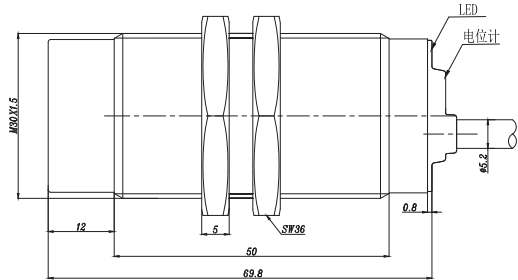


Fig.3

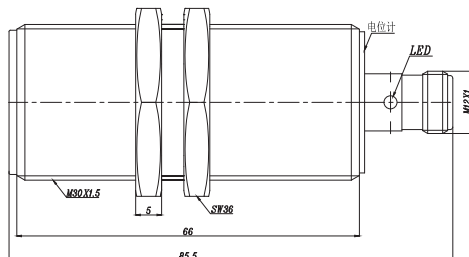


Fig.4

