



W30

Features

- High operating comfort thanks to our specially developed long-stroke keys
- Carbon contact technology
- All keys are completely freely programmable (data strings with up to 16/32 digits possible)
- Programmable on 2 levels (double assignment of each key with shift)
- Key symbols can be made by yourself (insert in transparent caps) or can be lasered on request
- Any customer-specific adaptations can be implemented on request
- Freely selectable button sizes (1x1, 2x1, 2x2)
- Housing adapted to the DS104W, can thus be added on
- Available in Black or Pebble Grey (RAL 7032)
- Available with 30, 60 or 90 keys
- Available in housing or as built-in version

Mechanical Data

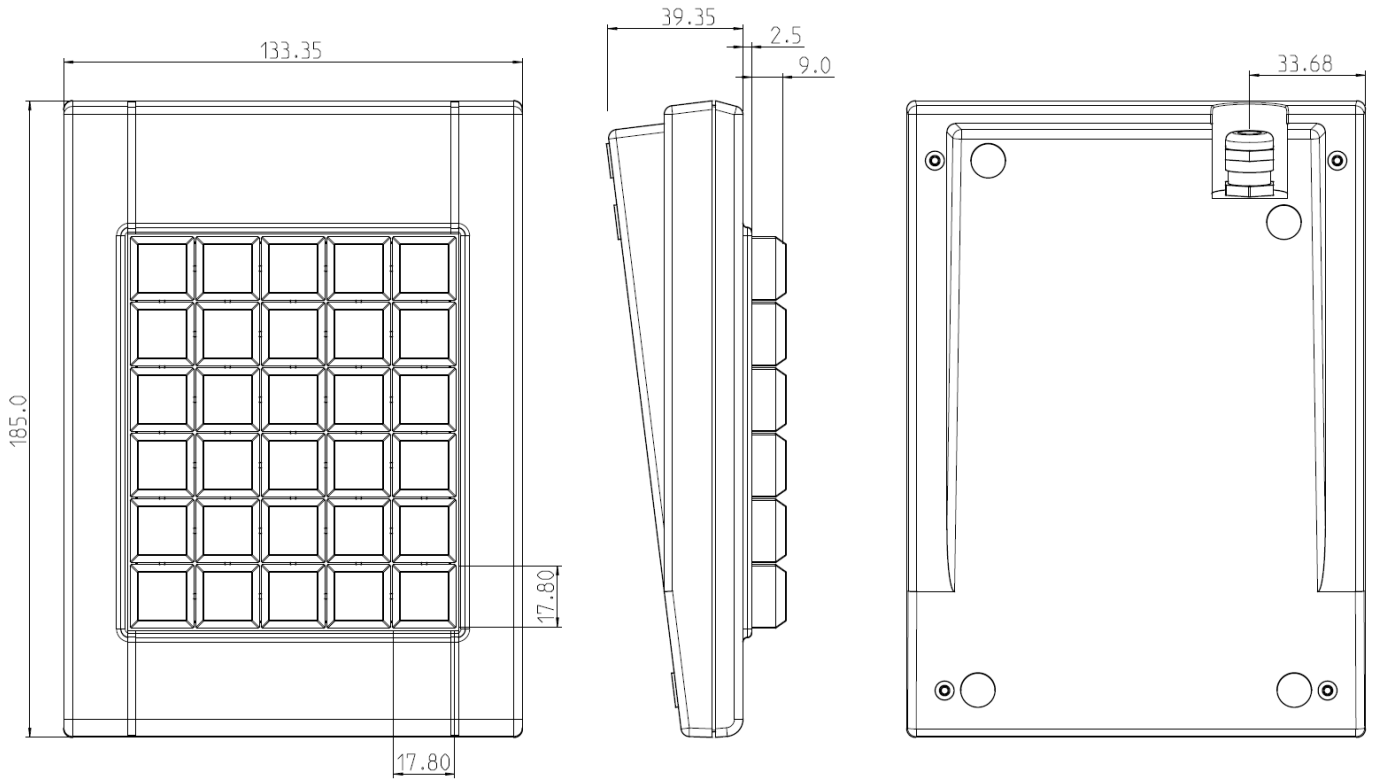
- Dimensions of 133 x 185 x 39 mm
- 3,25 mm travel keys with tactile feel
- Operation force 0,65 N
- 30 keys in compact layout
- Easy to change 19x19 mm keycaps (optional 19x38 mm and 38x38 mm)
- Durability > 10 million ops.
- Storage temperature -40°C - +70°C
- Operation temperature 0°C - +60°C (optional -20°C - +60°C)
- Protection IP65

Electrical Data

- Connection options: USB 2.0 (others we program on request)
- Power supply + 5 V/DC, 30 mA
- 2-key rollover
- Autorepeat
- CE Compliant
- RoHS/Reach Compliant



Drawing

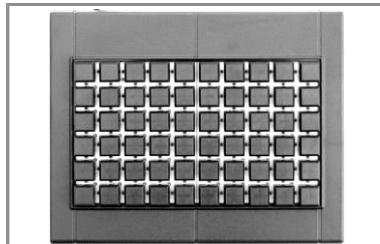


Versions



W30

- 30 keys



W60

- 60 keys



W90

- 90 keys



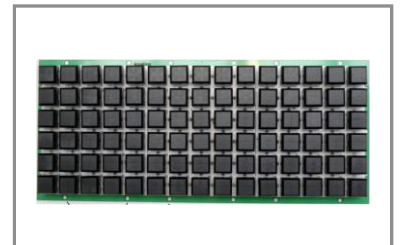
W30 EBV

- 30 keys built-in version



W60 EBV

- 60 keys built-in version



W90 EBV

- 90 keys built-in version