

Photoelectric Sensors

Mini-OS21



Descriptions:

The compact design is very suitable for limited installation space requirement in electronic, semiconductor and other industries, and can improve the aesthetics and automation level of equipment.

Features:

- Long sensing range
- Spot light source, divergent light with small-angle
- Mounting hole $\Phi 3$, built-in metal parts, strong and long life-time



Type:

Detection mode	Type	Distance	Beam	Response time	Output	Switch mode	Connection	Wiring Diagram
Opposed	OS21-S6	1m	Infrared Beam	—	—	—	2m cable	Fig. 1
	OS21-ELN6	1m	—	500 μ s	NPN	Light on	2m cable	Fig. 2
	OS21-EDN6	1m	—	500 μ s	NPN	Dark on	2m cable	Fig. 3
	OS21-S6	1m	Infrared Beam	—	—	—	2m cable	Fig. 1
	OS21-ELP6	1m	—	500 μ s	PNP	Light on	2m cable	Fig. 4
	OS21-EDP6	1m	—	500 μ s	PNP	Dark on	2m cable	Fig. 5

Technical data:

Supply voltage	10...30VDC
Ripple voltage	$\leq 5V_{ss}$
Output type	PNP/NPN (Depends on the model)
Output feature	Light-on/Dark-on (Depends on the model)
No-load current	$\leq 20mA$
load current	$< 100mA$
Light source	Infrared beam
Divergence angle	$< 3^\circ$ (Semi-angle)
Yellow LED	Switch status
Green LED	Power on
Housing	ABS
Lens	PMMA
Protection class	IP67
Ambient operation temperature	-20 ~ +50 C
Ambient storage temperature	-40 ~ +75 C
Circuit protection	Polarity reversal protection, short-circuit protection, over-current protection

Mini-OS21

Wiring Diagram

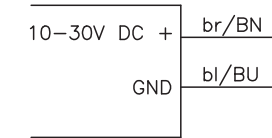


Fig. 1

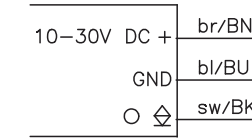


Fig. 2

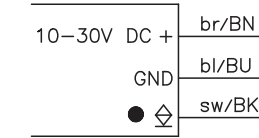


Fig. 3

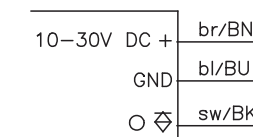


Fig. 4

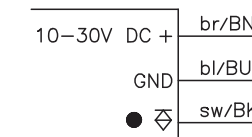
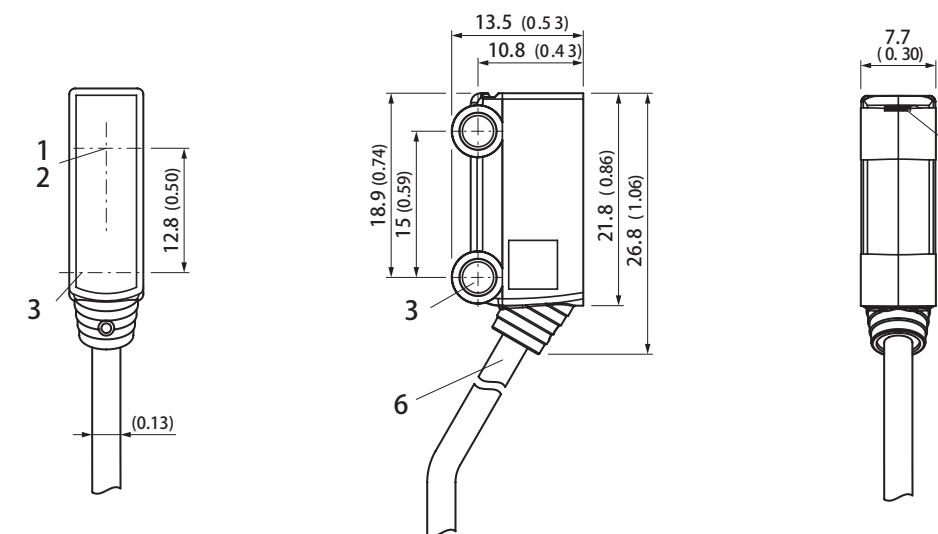


Fig. 5

Dimensions



1	Receiver optic axis
2	Emitter optic axis
3	Mounting hole $\phi 3.2mm$
4	Green LED indicator: power on
5	Yellow LED indicator: receive light
6	Connection: cable connection