

Photoelectric Sensors

Rectangular-OS12



Descriptions:

Compact structure, 20x32x12, 360° LED indicator, small size with reliable detection.

Features:

- Potentiometer adjustment
- Distance of 200mm and 400mm available for diffused
- Anti-interference capability
- M8 Pigtail connection optional
- Infrared beam, */R optional for red beam

Type:

Detection mode	Type	Distance	Beam	Response time	Output	Switch mode	Connection	Wiring
Opposed	OS12-S6 (emitter)	10m	Infrared	—	—	—	2m cable	Fig.1
	OS12-ECN6 (receiver)	10m	—	500µs	NPN	Light on/Dark on	2m cable	Fig.3
	OS12-S6 (emitter)	10m	Infrared	—	—	—	2m cable	Fig.1
	OS12-ECP6 (receiver)	10m	—	500µs	PNP	Light on/Dark on	2m cable	Fig.4
	OS12-S6*-Q8 (emitter)	10m	Infrared	—	—	—	M8 Pigtail	Fig.2
	OS12-ECN6*-Q8 (receiver)	10m	—	500µs	NPN	Light on/Dark on	M8 Pigtail	Fig.5
Reflector	OS12-S6*-Q8 (emitter)	10m	Infrared	—	—	—	M8 Pigtail	Fig.2
	OS12-ECP6*-Q8 (receiver)	10m	—	500µs	PNP	Light on/Dark on	M8 Pigtail	Fig.6
	OS12-RCN6	3m	Infrared	500µs	NPN	Light on/Dark on	2m cable	Fig.3
	OS12-RCP6	3m	Infrared	500µs	PNP	Light on/Dark on	2m cable	Fig.4
	OS12-RCN6*-Q8	3m	Infrared	500µs	NPN	Light on/Dark on	M8 Pigtail	Fig.5
	OS12-RCP6*-Q8	3m	Infrared	500µs	PNP	Light on/Dark on	M8 Pigtail	Fig.6
Diffused (20...400mm)	OS12-K400CN6	400mm	Infrared	500µs	NPN	Light on/Dark on	2m cable	Fig.3
	OS12-K400CP6	400mm	Infrared	500µs	PNP	Light on/Dark on	2m cable	Fig.4
	OS12-K400CN6*-Q8	400mm	Infrared	500µs	NPN	Light on/Dark on	M8 Pigtail	Fig.5
	OS12-K400CP6*-Q8	400mm	Infrared	500µs	PNP	Light on/Dark on	M8 Pigtail	Fig.6

* Cable length, m, eg. OS12-S6-0.1-Q8, pigtail cable length 0.1m.

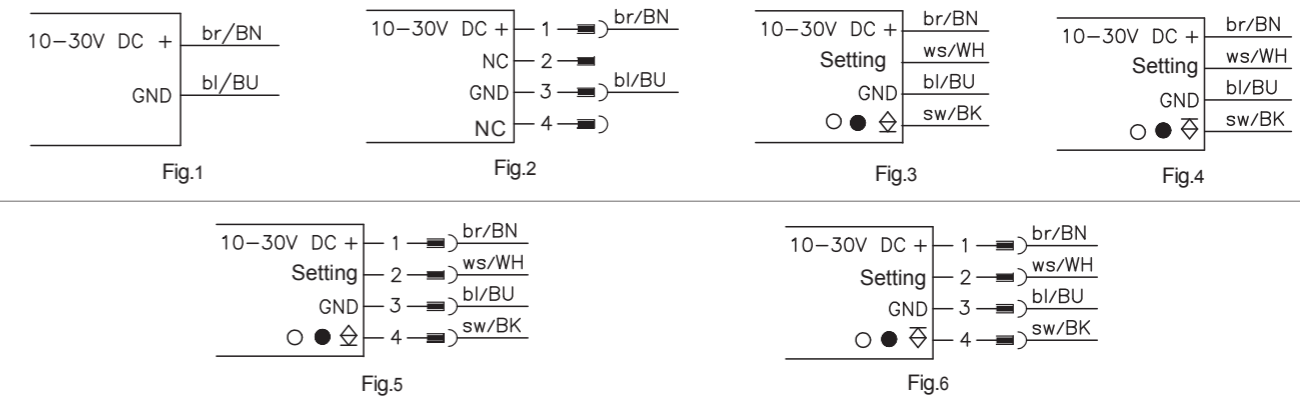
* /R red beam, eg. OS12-S6/R

Technical Data:

Operating voltage	10...30VDC
Ripple voltage	±10% of U _B
Beam	Infrared, red optional
Output type	PNP/NPN
Output characteristic	Light on/dark on
No-load current	≤20mA
Load current	≤100mA
Sensitivity	Adjustable
Spot diameter	1.2m (10m, opposed), 350mm (3m, reflector), 10mm (800mm, diffused)
Orange LED	Switch
Housing	PMMA
Optical face	PMMA
Divergence angle	Single-turn potentiometer
Connection	M8 Pigtail/2m cable
Ambient temperature	-25...55°C
Storage temperature	-40...70°C
Protection degree	IP65
Switch mode	Light on: Setting connects U+
	Dark on: Setting connects U-

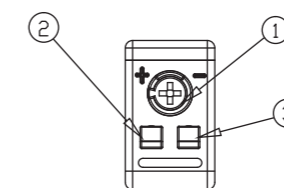
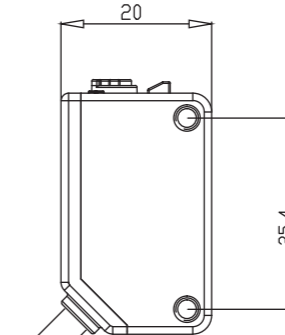
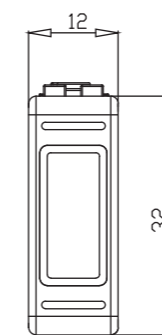
Rectangular-OS12

Electrical Connection:

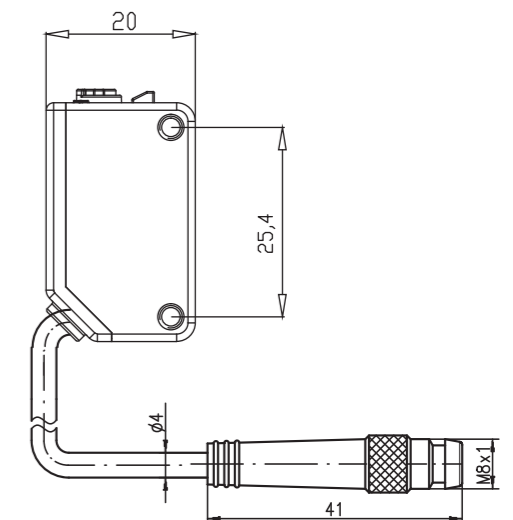


Dimensions:

Cable



M8 Pigtail



1	Detection distance adjusting knob
2	Power indicator
3	Single indicator